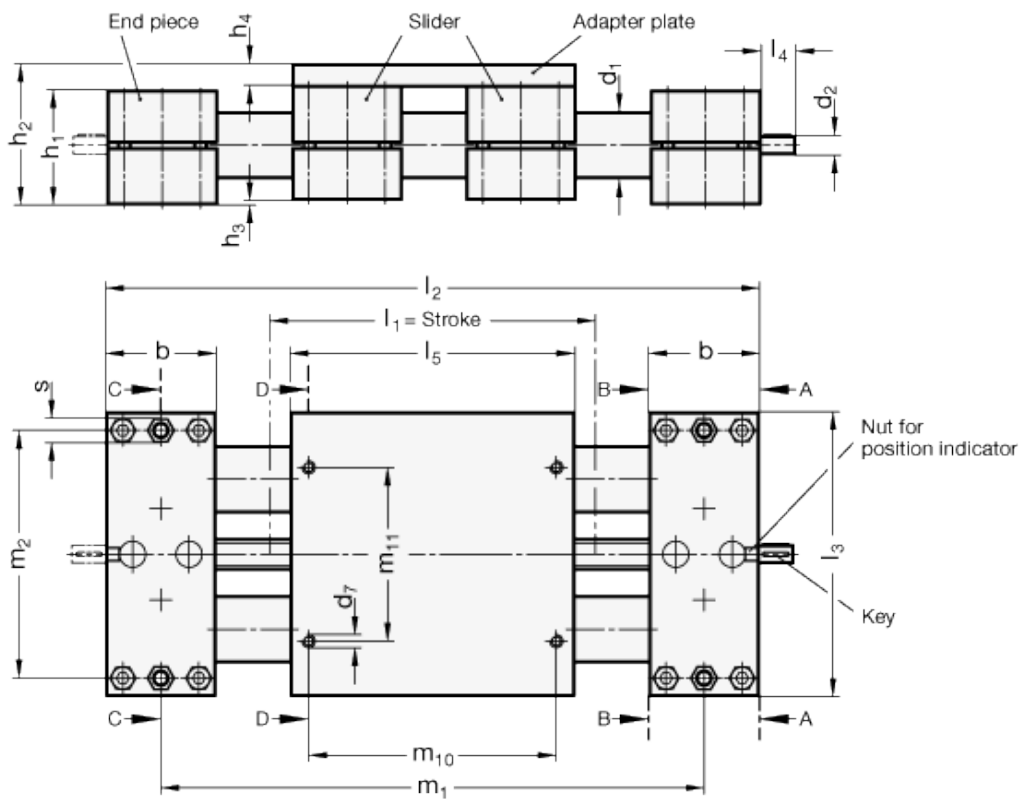


# GN 492

Double tube linear actuators



technical informations  
Guide tube DIN 2391  
Chrome-plated steel SCR.

End pieces/Slider/Adapter plate

Aluminium, plastic coated, black RAL 9005, textured finish.  
Fixing surface / mounting surface machined, blank.

### Spindle with trapezoidal thread

Steel blank, with ball-bearing.  
Positioning accuracy  $\pm 0.2\text{mm}/300\text{ mm travel}$ .

### Follower nut

Gun metal.

### Cylinder head screws DIN 912

Zinc-plated steel.

### Hexagon nuts DIN 985

Zinc-plated steel.

### Standard versions available

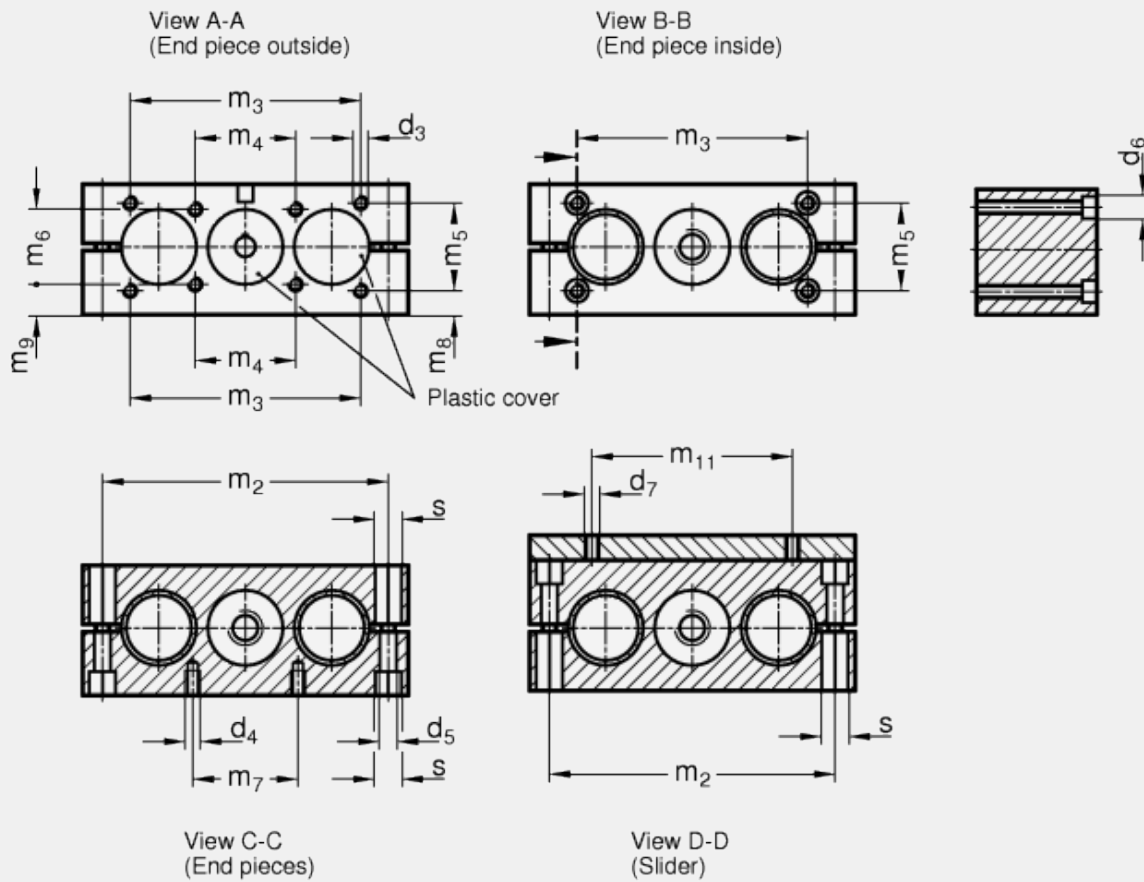
- Type R1: Right hand thread, single shaft end.
- Type R2: Right hand thread, two shaft ends.
- Type L1: Left hand thread, single shaft end.
- Type L2: Left hand thread, two shaft ends.

### Version of the shaft ends

- Version 1: short
- Version 2: long (for position indicator)
- Version 3: 1 x short  
1 x long (for position indicator)

### Features and applications

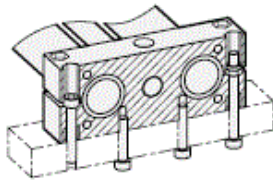
In addition to the standard travel lengths specified in the above table for the double tube linear actuator GN 492 any length inside the maximum length is available.  
In order to measure the movement and positioning of the sliders, digital position indicators can be added.



### Mounting facilities of the end pieces

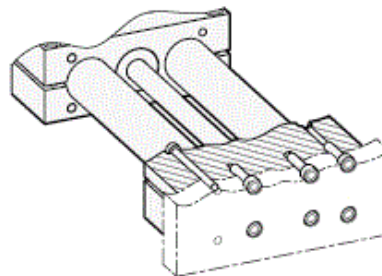
#### Horizontal

with screws for thread  $d_4$  or bore  $d_5$



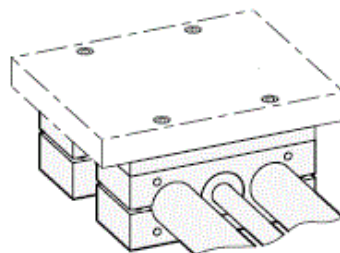
#### Vertical

From outside, with screws for thread  $d_3$   
From inside, with screws for bore  $d_6$



### Mounting facilities at the slider

Mounting with screws  
for thread  $d_7$



# for screw DIN 912

Standard  
Elements

Main dimensions

Description	d <sub>1</sub>	l <sub>1</sub> Travel	l <sub>1</sub> Travel	b	d <sub>2</sub>	d <sub>3**</sub>	d <sub>4***</sub>	d <sub>5</sub>	d <sub>6</sub>	#	d <sub>7</sub> #	d <sub>8</sub>	h <sub>1</sub>	h <sub>2</sub>	h <sub>3</sub>	h <sub>4</sub>	l <sub>2</sub>	l <sub>3</sub>	l <sub>4</sub> short	l <sub>4</sub> long	l <sub>5</sub>	m <sub>1</sub>	m <sub>2</sub>	m <sub>3</sub>	m <sub>4</sub>	m <sub>5</sub>	m <sub>6</sub>	m <sub>7</sub>	m
	GN 492-30-100-R1-1-1-SCR	30	100	1500	50	8	M 6	M 6	6.5	10	M 5	11	M 6	52	64	2	10	2xb+I5+I1	130	16	-	130	b+I5+I1	114	92	40	35	30	42
GN 492-30-100-R1-2-2-SCR	30	100	1500	50	8	M 6	M 6	6.5	10	M 5	11	M 6	52	64	2	10	2xb+I5+I1	130	-	49	130	b+I5+I1	114	92	40	35	30	42	9.
GN 492-30-150-R1-1-1-SCR	30	150	1500	50	8	M6	M6	6.5	10	M 5	11	M 6	52	64	2	10	2xb+I5+I1	130	16	-	130	b+I5+I1	114	92	40	35	30	42	9.
GN 492-30-150-R1-2-2-SCR	30	150	1500	50	8	M 6	M 6	6.5	10	M 5	11	M 6	52	64	2	10	2xb+I5+I1	130	-	49	130	b+I5+I1	114	92	40	35	30	42	9.
GN 492-30-200-R1-1-1-SCR	30	200	1500	50	8	M 6	M 6	6.5	10	M 5	11	M 6	52	64	2	10	2xb+I5+I1	130	16	-	130	b+I5+I1	114	92	40	35	30	42	9.
GN 492-30-200-R1-2-2-SCR	30	200	1500	50	8	M 6	M 6	6.5	10	M5	11	M 6	52	64	2	10	2xb+I5+I1	130	-	49	130	b+I5+I1	114	92	40	35	30	42	9.
GN 492-30-300-R1-1-1-SCR	30	300	1500	50	8	M 6	M 6	6.5	10	M 5	11	M 6	52	64	2	10	2xb+I5+I1	130	16	-	130	b+I5+I1	114	92	40	35	30	42	9.
GN 492-30-300-R1-2-2-SCR	30	300	1500	50	8	M 6	M 6	6.5	10	M 5	11	M 6	52	64	2	10	2xb+I5+I1	130	-	49	130	b+I5+I1	114	92	40	35	30	42	9.
GN 492-50-100-R1-1-1-SCR	50	100	2540	72	12	M 10	M 8	8.5	15	M 8	15	M 8	72	92	4	16	2xb+I5+I1	206	18	-	206	b+I5+I1	184	150	46	50	46	62	1:
GN 492-50-100-R1-2-2-SCR	50	100	2540	72	12	M 10	M 8	8.5	15	M 8	15	M 8	72	92	4	16	2xb+I5+I1	206	-	55	206	b+I5+I1	184	150	46	50	46	62	1:
GN 492-50-150-R1-1-1-SCR	50	150	2540	72	12	M 10	M 8	8.5	15	M 8	15	M 8	72	92	4	16	2xb+I5+I1	206	18	-	206	b+I5+I1	184	150	46	50	46	62	1:
GN 492-50-150-R1-2-2-SCR	50	150	2540	72	12	M 10	M 8	8.5	15	M 8	15	M 8	72	92	4	16	2xb+I5+I1	206	-	55	206	b+I5+I1	184	150	46	50	46	62	1:
GN 492-50-200-R1-1-1-SCR	50	200	2540	72	12	M 10	M 8	8.5	15	M 8	15	M 8	72	92	4	16	2xb+I5+I1	206	18	-	206	b+I5+I1	184	150	46	50	46	62	1:
GN 492-50-200-R1-2-2-SCR	50	200	2540	72	12	M 10	M 8	8.5	15	M 8	15	M 8	72	92	4	16	2xb+I5+I1	206	-	55	184	b+I5+I1	184	150	46	50	46	62	1:
GN 492-50-300-R1-1-1-SCR	50	300	2540	72	12	M 10	M 8	8.5	15	M 8	15	M 8	72	92	4	16	2xb+I5+I1	206	18	-	206	b+I5+I1	184	150	46	50	46	62	1:
GN 492-50-300-R1-2-2-SCR	50	300	2540	72	12	M 10	M 8	8.5	15	M 8	15	M 8	72	92	4	16	2xb+I5+I1	206	-	55	206	b+I5+I1	184	150	46	50	46	62	1:
GN 492-30-100-L1-1-1-SCR*	30	100	1500	50	8	M 6	M 6	6.5	10	M 5	11	M 6	52	64	2	10	2xb+I5+I1	130	16	-	130	b+I5+I1	114	92	40	35	30	42	9.
GN 492-30-100-L1-2-2-SCR*	30	100	1500	50	8	M 6	M 6	6.5	10	M 5	11	M 6	52	64	2	10	2xb+I5+I1	130	-	49	130	b+I5+I1	114	92	40	35	30	42	9.
GN 492-30-150-L1-1-1-SCR*	30	150	1500	50	8	M 6	M 6	6.5	10	M 5	11	M 6	52	64	2	10	2xb+I5+I1	130	16	-	130	b+I5+I1	114	92	40	35	30	42	9.
GN 492-30-150-L1-2-2-SCR*	30	150	1500	50	8	M 6	M 6	6.5	10	M 5	11	M 6	52	64	2	10	2xb+I5+I1	130	-	49	130	b+I5+I1	114	92	40	35	30	42	9.
GN 492-30-200-L1-1-1-SCR*	30	200	1500	50	8	M 6	M 6	6.5	10	M 5	11	M 6	52	64	2	10	2xb+I5+I1	130	16	-	130	b+I5+I1	114	92	40	35	30	42	9.

GN 492-30-200-L1-2-SCR*	30	200	1500	50	8	M 6	M 6	6.5	10	M 5	11	M 6	M 6	52	64	2	10	2xb+I5+I1	130	-	49	130	b+I5+I1	114	92	40	35	30	42	9.
GN 492-30-300-L1-1-SCR*	30	300	1500	50	8	M 6	M 6	6.5	10	M 5	11	M 6	M 6	52	4	2	10	2xb+I5+I1	130	16	-	130	b+I5+I1	114	92	40	35	30	42	9.
GN 492-30-300-L1-2-SCR*	30	300	1500	50	8	M 6	M 6	6.5	10	M 5	11	M 6	M 6	52	64	2	10	2xb+I5+I1	130	-	49	130	b+I5+I1	114	92	40	35	30	42	9.
GN 492-50-100-L1-1-SCR*	50	100	2540	72	12	M 10	M 8	8.5	15	M 8	15	M 8	M 8	72	92	4	16	2xb+I5+I1	206	18	-	206	b+I5+I1	184	150	46	50	46	62	1:
GN 492-50-100-L1-2-SCR*	50	100	2540	72	12	M 10	M 8	8.5	15	M 8	15	M 8	M 8	72	92	4	16	2xb+I5+I1	206	-	55	206	b+I5+I1	184	150	46	50	46	62	1:
GN 492-50-150-L1-1-SCR*	50	150	2540	72	12	M 10	M 8	8.5	15	M 8	15	M 8	M 8	72	92	4	16	2xb+I5+I1	206	18	-	206	b+I5+I1	184	150	46	50	46	62	1:
GN 492-50-150-L1-2-SCR*	50	150	2540	72	12	M 10	M 8	8.5	15	M 8	15	M 8	M 8	72	92	4	16	2xb+I5+I1	206	-	55	206	b+I5+I1	184	150	46	50	46	62	1:
GN 492-50-200-L1-1-SCR*	50	200	2540	72	12	M 10	M 8	8.5	15	M 8	15	M 8	M 8	72	92	4	16	2xb+I5+I1	206	18	-	206	b+I5+I1	184	150	46	50	46	62	1:
GN 492-50-200-L1-2-SCR*	50	200	2540	72	12	M 10	M 8	8.5	15	M 8	15	M 8	M 8	72	92	4	16	2xb+I5+I1	206	-	55	206	b+I5+I1	184	150	46	50	46	62	1:
GN 492-50-300-L1-1-SCR*	50	300	2540	72	12	M 10	M 8	8.5	15	M 8	15	M 8	M 8	72	92	4	16	2xb+I5+I1	206	18	-	206	b+I5+I1	184	150	46	50	46	62	1:
GN 492-50-300-L1-2-SCR*	50	300	2540	72	12	M 10	M 8	8.5	15	M 8	15	M 8	M 8	72	92	4	16	2xb+I5+I1	206	-	55	206	b+I5+I1	184	150	46	50	46	62	1:
GN 492-30-100-R2-1-SCR*	30	100	1500	50	8	M 6	M 6	6.5	10	M 5	11	M 6	M 6	52	64	2	10	2xb+I5+I1	130	16	-	130	b+I5+I1	114	92	40	35	30	42	9.
GN 492-30-100-R2-2-SCR*	30	100	1500	50	8	M 6	M 6	6.5	10	M 5	11	M 6	M 6	52	64	2	10	2xb+I5+I1	130	-	49	130	b+I5+I1	114	92	40	35	30	42	9.
GN 492-30-100-R2-3-SCR*	30	100	1500	50	8	M 6	M 6	6.5	10	M 5	11	M 6	M 6	52	64	2	10	2xb+I5+I1	130	16	49	130	b+I5+I1	114	92	40	35	30	42	9.
GN 492-30-150-R2-1-SCR*	30	150	1500	50	8	M 6	M 6	6.5	10	M 5	11	M 6	M 6	52	64	2	10	2xb+I5+I1	130	16	-	130	b+I5+I1	114	92	40	35	30	42	9.
GN 492-30-150-R2-2-SCR*	30	150	1500	50	8	M 6	M 6	6.5	10	M 5	11	M 6	M 6	52	64	2	10	2xb+I5+I1	130	-	49	130	b+I5+I1	114	92	40	35	30	42	9.
GN 492-30-150-R2-3-SCR*	30	150	1500	50	8	M 6	M 6	6.5	10	M 5	11	M 6	M 6	52	64	2	10	2xb+I5+I1	130	16	49	13	b+I5+I1	114	92	40	35	30	42	9.
GN 492-30-200-R2-1-SCR*	30	200	1500	50	8	M 6	M 6	6.5	10	M 5	11	M 6	M 6	52	64	2	10	2xb+I5+I1	130	16	-	130	b+I5+I1	114	92	40	35	30	42	9.
GN 492-30-200-R2-2-SCR*	30	200	1500	50	8	M 6	M 6	6.5	10	M 5	11	M 6	M 6	52	64	2	10	2xb+I5+I1	130	-	49	130	b+I5+I1	114	92	40	35	30	42	9.
GN 492-30-200-R2-3-SCR*	30	200	1500	50	8	M 6	M 6	6.5	10	M 5	11	M 6	M 6	52	64	2	10	2xb+I5+I1	130	16	49	130	b+I5+I1	114	92	40	35	30	42	9.
GN 492-30-300-R2-1-SCR*	30	300	1500	50	8	M 6	M 6	6.5	10	M 5	11	M 6	M 6	52	64	2	10	2xb+I5+I1	130	16	-	130	b+I5+I1	114	92	40	35	30	42	9.
GN 492-30-300-R2-2-SCR*	30	300	1500	50	8	M 6	M 6	6.5	10	M 5	11	M 6	M 6	52	64	2	10	2xb+I5+I1	130	-	49	130	b+I5+I1	114	92	40	35	30	42	29

GN 492-30-300-R2-3-SCR*	30	300	1500	50	8	M 6	M 6	6.5	10	M 5	11	M 6	M 6	52	64	42	10	2xb+I5+I1	130	16	49	13	b+I1+I2	114	92	40	235	30	4	9.
GN 492-50-100-R2-1-SCR*	50	100	2540	72	12	M 10	M 8	8.5	15	M 8	15	M 8	M 8	72	92	4	16	2xb+I5+I1	130	18	-	206	b+I5+I1	184	150	46	50	46	62	1.
GN 492-50-100-R2-2-SCR*	50	100	2540	72	12	M 10	M 8	8.5	15	M 8	15	M 8	M 8	72	92	4	16	2xb+I5+I1	206	-	55	206	b+I5+I1	184	150	46	50	46	62	1.
GN 492-50-100-R2-3-SCR*	50	100	2540	72	12	M 10	M 8	8.5	15	M 8	15	M 8	M 8	72	92	4	16	2xb+I5+I1	206	18	55	206	b+I5+I1	184	150	46	50	46	62	1.
GN 492-50-150-R2-1-SCR*	50	150	2540	72	12	M 10	M 8	8.5	15	M 8	15	M 8	M 9	72	76	4	16	2xb+I5+I1	206	18	-	206	b+I5+I1	184	150	46	50	46	62	1.
GN 492-50-150-R2-2-SCR*	50	150	2540	72	12	M 10	M 8	8.5	15	M 8	15	M 8	M 8	72	76	4	16	2xb+I5+I1	206	-	55	206	b+I5+I1	184	150	46	50	46	62	1.
GN 492-50-150-R2-3-SCR*	50	150	2540	72	12	M 10	M 8	8.5	15	M 8	15	M 8	M 8	72	76	4	16	2xb+I5+I1	206	18	55	206	b+I5+I1	184	150	46	50	46	62	1.
GN 492-50-200-R2-1-SCR*	50	200	2540	72	12	M 10	M 8	8.5	15	M 8	15	M 8	M 8	72	76	4	16	2xb+I5+I1	206	18	-	206	b+I5+I1	184	150	46	50	46	62	1.
GN 492-50-200-R2-2-SCR*	50	200	2675	72	12	M 10	M 8	8.5	15	M 8	15	M 8	M 8	72	76	4	16	2xb+I5+I1	206	-	55	206	b+I5+I1	184	150	46	50	46	62	1.
GN 492-50-200-R2-3-SCR*	50	200	2540	72	12	M 10	M 8	8.5	15	M 8	15	M 8	M 8	72	76	4	16	2xb+I5+I1	206	18	55	206	b+I5+I1	184	150	46	50	46	62	1.
GN 492-50-300-R2-1-SCR*	50	300	2540	72	12	M 10	M 8	8.5	15	M 8	15	M 8	M 8	72	76	4	16	2xb+I5+I1	206	18	-	206	b+I5+I1	184	150	46	50	46	62	1.
GN 492-50-300-R2-2-SCR*	50	300	2540	72	12	M 10	M 8	8.5	15	M 8	15	M 8	M 8	72	76	4	16	2xb+I5+I1	206	-	55	206	b+I5+I1	184	150	46	50	46	62	1.
GN 492-50-300-R2-3-SCR*	50	300	2540	72	12	M 10	M 8	8.5	15	M 8	15	M 8	M 8	72	76	4	16	2xb+I5+I1	206	18	55	206	b+I5+I1	184	150	46	50	46	62	1.
GN 492-30-100-L2-1-SCR*	30	100	1500	50	8	M 6	M 6	6.5	10	M 5	11	M 6	M 6	52	54	2	16	2xb+I5+I1	130	16	-	206	b+I5+I1	114	92	40	35	30	42	9.
GN 492-30-100-L2-2-SCR*	30	100	1500	50	8	M 6	M 6	6.5	10	M 5	11	M 6	M 6	52	54	2	16	2xb+I5+I1	130	-	49	206	b+I5+I1	114	92	40	35	30	42	9.
GN 492-30-100-L2-3-SCR*	30	100	1500	50	8	M 6	M 6	6.5	10	M 5	11	M 6	M 6	52	54	2	16	2xb+I5+I1	130	16	49	206	b+I5+I1	114	92	40	35	30	42	9.
GN 492-30-150-L2-1-SCR*	30	150	1500	50	8	M 6	M 6	6.5	6	M 5	11	M 6	M 6	52	64	2	10	2xb+I5+I1	130	16	-	130	b+I5+I1	114	92	40	35	30	42	9.
GN 492-30-150-L2-2-SCR*	30	150	1500	50	8	M 6	M 6	6.5	10	M 5	11	M 6	M 6	52	64	2	10	2xb+I5+I1	130	-	49	130	b+I5+I1	114	92	40	35	30	42	9.
GN 492-30-150-L2-3-SCR*	30	200	1500	50	8	M 6	M 6	6.5	10	M 5	11	M 6	M 6	52	64	2	10	2xb+I5+I1	130	16	49	130	b+I5+I1	114	92	40	35	30	42	9.
GN 492-30-200-L2-1-SCR*	30	200	1500	50	8	M 6	M 6	6.5	10	M 5	11	M 6	M 6	52	64	2	10	2xb+I5+I1	130	16	-	130	b+I5+I1	114	92	40	35	30	42	9.
GN 492-30-200-L2-2-SCR*	30	200	1500	50	8	M 6	M 6	6.5	10	M 5	11	M 6	M 6	52	64	2	10	2xb+I5+I1	130	-	49	130	b+I5+I1	114	92	40	35	30	42	9.
GN 492-30-200-L2-3-SCR*	30	200	1500	50	8	M 6	M 6	6.5	10	M 5	11	M 6	M 6	52	64	2	10	2xb+I5+I1	130	16	49	130	b+I5+I1	114	92	40	35	30	42	9.

